



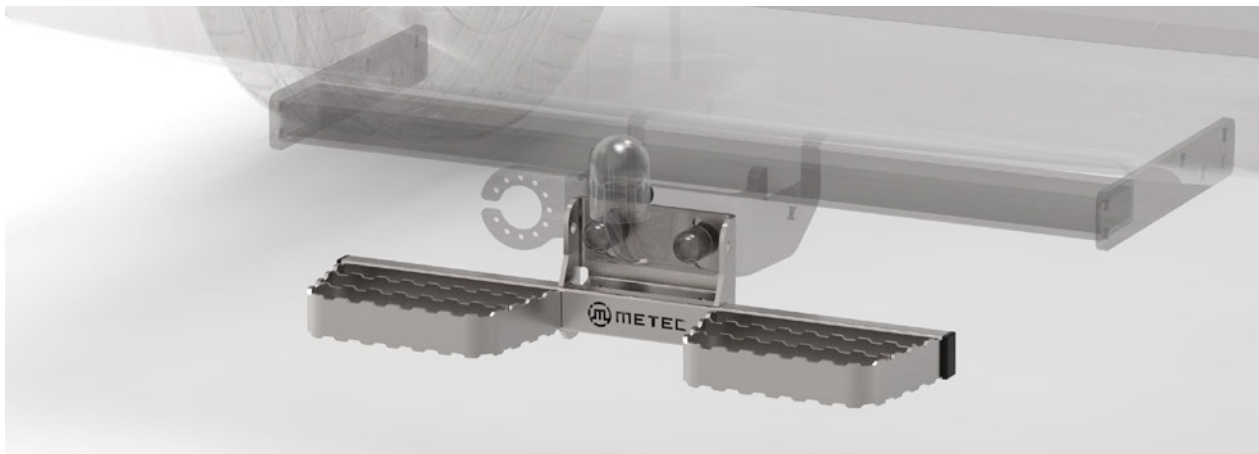
UNIVERSAL

Accessories

Tow steps

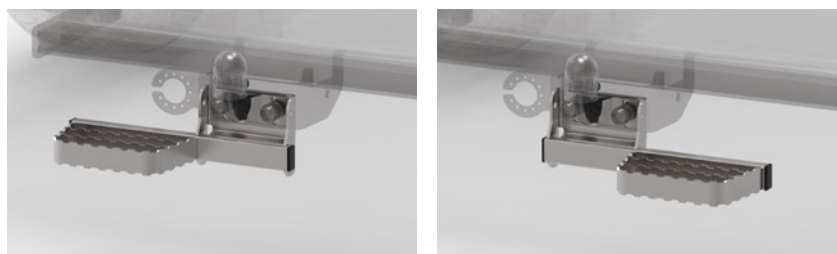
Tow bar steps

Metec is the leading European developer of car accessories. We are the only company that offers accessory programmes for manufacturer and all types of utility vehicles.



Tow step, double, 600mm

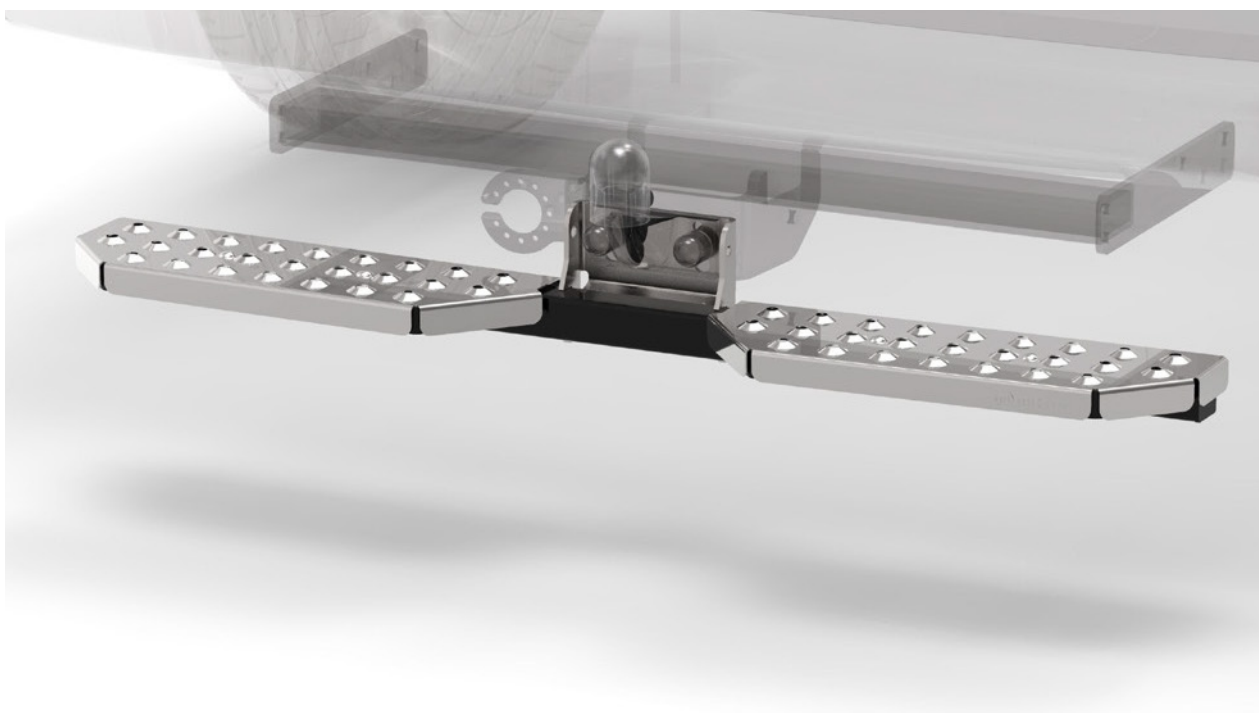
888419



Tow step, single, reversable to left / right side

888419 and 888422 are both made of AISI304 stainless steel.

888422



Tow step, 1200mm

888420

carbon steel frame combined with the fixation bracket and anti slip plates made of AISI304



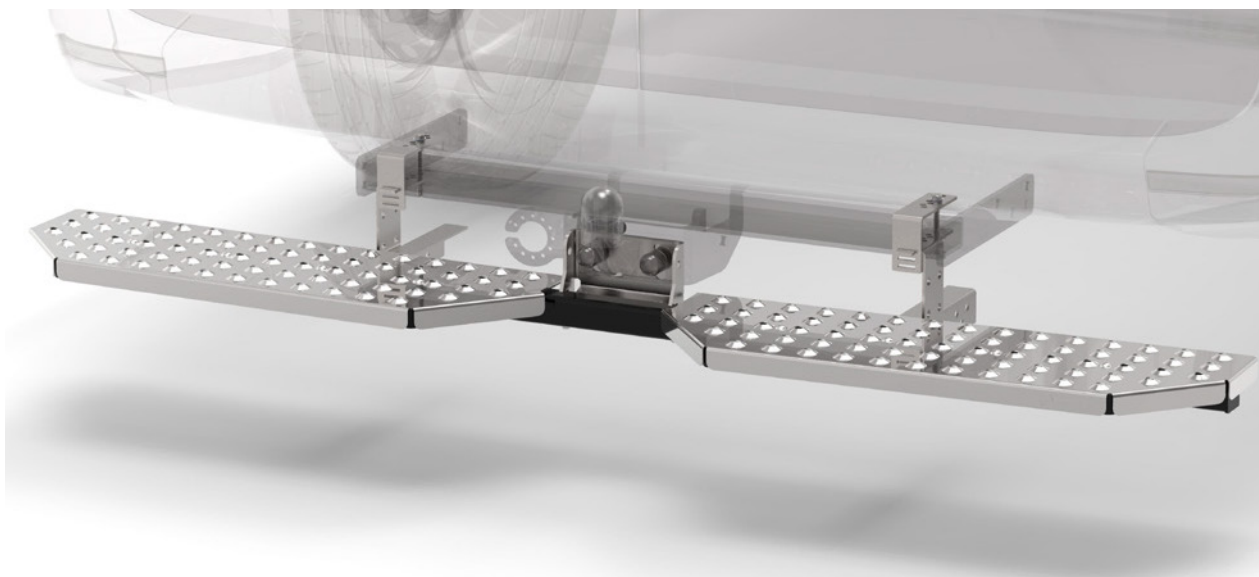
 Different colors

Advanced engineering for Your taste!

 METEC

Tow bar steps

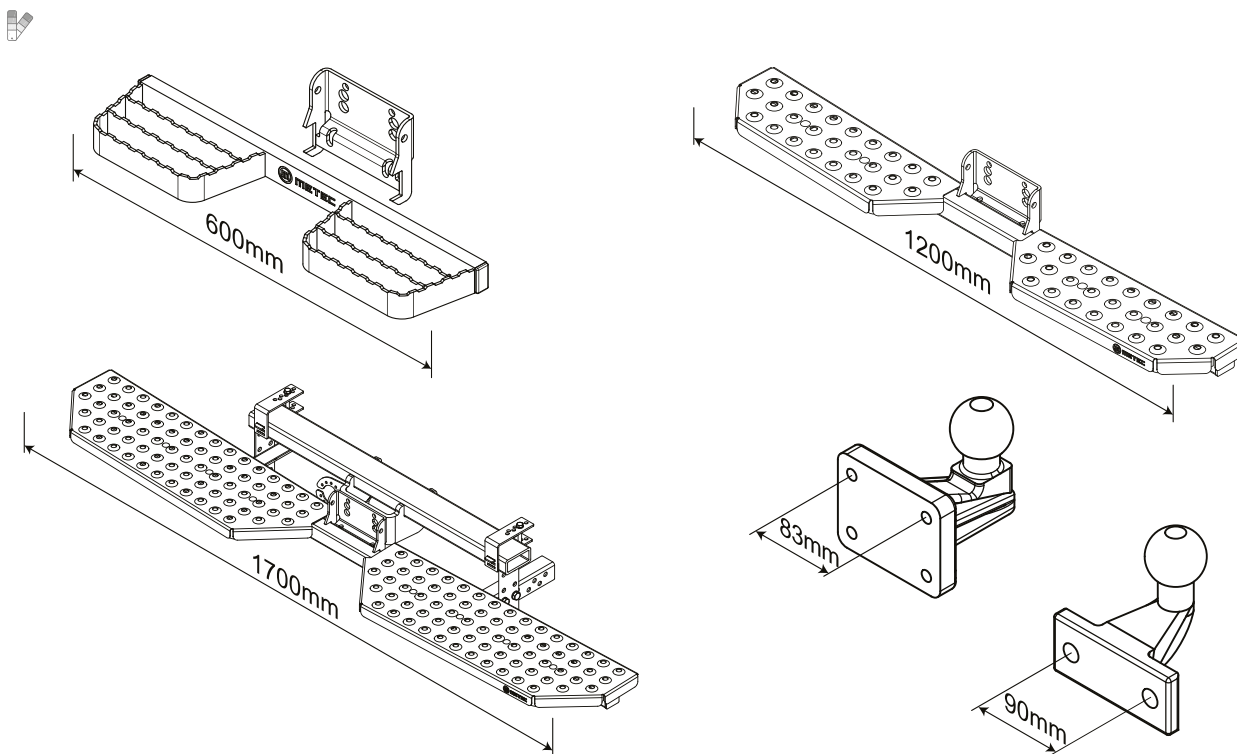
Metec is the leading European developer of car accessories. We are the only company that offers accessory programmes for manufacturer and all types of utility vehicles.



Tow step, 1700mm HD type

888423

carbon steel frame and AISI304 plates, side fixations for tow bars with rectangular tube type frame



Product data

Tow steps can be mounted with the flange type tow bars only, with bolt pattern 2x - cc 90mm or 4x - cc 83mm
Allowed size of rectangular tubes for 888423 type: width 40..100mm; height 40..80mm

 Different colors

Advanced engineering for Your taste!

 METEC